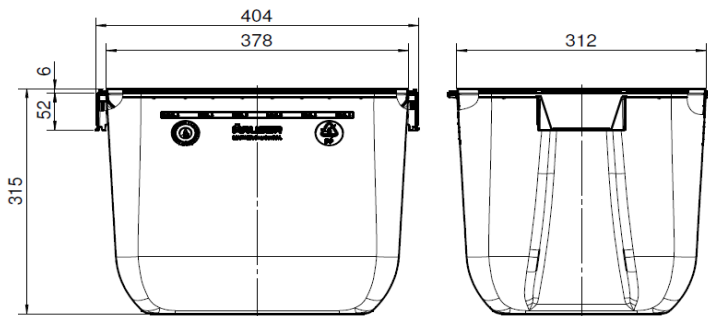


Product Datasheet

description: 30 litre WIVA VAT-5 Infinity
 product group: Medical Waste Containers
 Mauser product no.: NL030V5051PZ
 customer item no.:

year: 2018
 last revision: 21-5-2022
 print date: 12-3-2024
 page: 1/2



DIMENSIONS

height: 315 mm
 length: 378 mm
 width: 312 mm

TOLERANCE

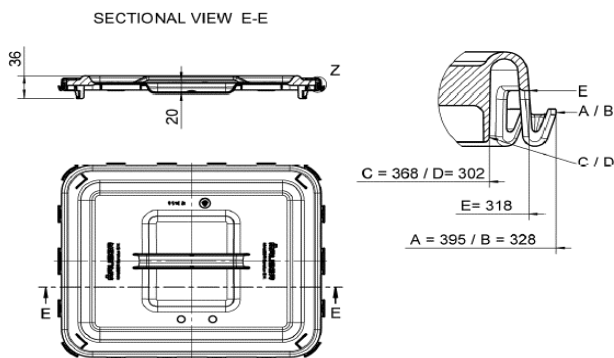
height: +/- 3%
 length: +/- 3%
 width: +/- 3%

WEIGHT

weight body 30 l VAT-5: 720 gram
 tolerance: +/- 4%
 weight (PIW): 1.050 gram

VOLUME

nominal volume [l]: 30,0 l
 net volume: 29,7 l
 Filling line
 85% volume: 25,2 l



DRAWING NUMBER

Mauser drawing no.: V-5275.8 bin
 Mauser drawing no.: V-5278.15 grip lid
 Mauser drawing no.: V-5467.4 click lid

MAUSER Benelux BV

Soevereistraat 1 NL-4903 RH Oosterhout The Netherlands
 Phone +31 (0)162-483700 Fax +31 (0)162-426746
 info.nl@mauserpackaging.com
 www.mauserpackaging.com

Product Datasheet

description:	30 litre WIVA VAT-5 Infinity	year:	2018
product group:	Medical Waste Containers	last revision:	21-5-2022
Mauser product no.:	NL030V5051PZ	print date:	12-3-2024
customer item no.:		page:	2/2

LABELING

Labeling: UN 3291 label

MODEL / COMPONENTS

Type:	30 litre WIVA VAT-5 Infinity	material bin:	rPP
Lid Type (1):	grip lid WIVA VAT-5 Infinity	material lid:	rPP
Lid Type (2):	click lid WIVA VAT-5 Infinity	material lid:	rPP
		material lid gasket:	foamed PU

COLOURS

colour body:	black	article no.	NL030V5051PZ
colour grip lid	black	article no.	NL51PZ01
colour click lid	black	article no.	NL52PZ02

SHIPPING UNIT

Pallet type: pallet CP1 used (1000 x 1200 mm)
 Pallet material: wood

pieces per pallet:	324	30 l WIVA VAT-5 Infinity
pieces per pallet:	648	grip lid WIVA VAT-5 Infinity
pieces per pallet:	486	click lid WIVA VAT-5 Infinity

Load secure bins: carton top tray / carton stacking tray / plastic stretch foil
 Load secure lids: plastic foil on each package of 9 pieces / plastic stretch foil pallet

approval: 3H2W/Y12/S/--/NL/TCPI-WIVA-220571 REC

-- the last two numbers of the year of production

MAUSER Benelux BV

Soeverinstraat 1 NL-4903 RH Oosterhout The Netherlands
 Phone +31 (0)162-483700 Fax +31 (0)162-426746
 info.nl@mauserpackaging.com
 www.mauserpackaging.com

